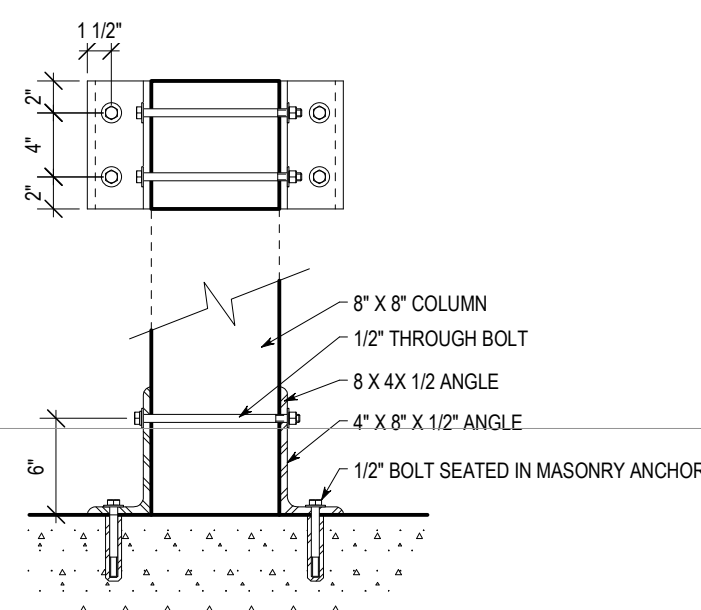


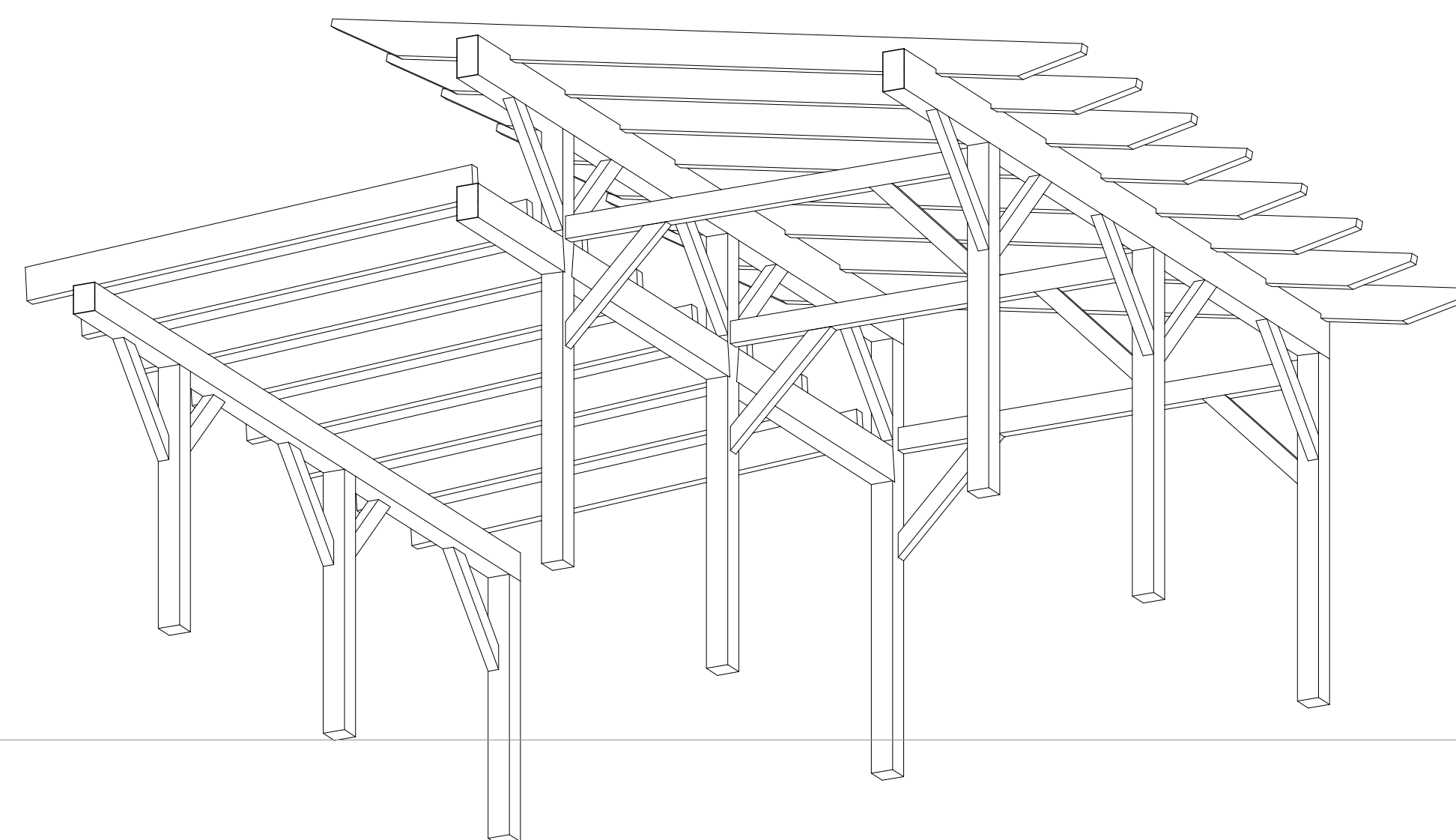
A FRAMING PLAN
Scale: 1/4" = 1'-0"

GENERAL NOTES

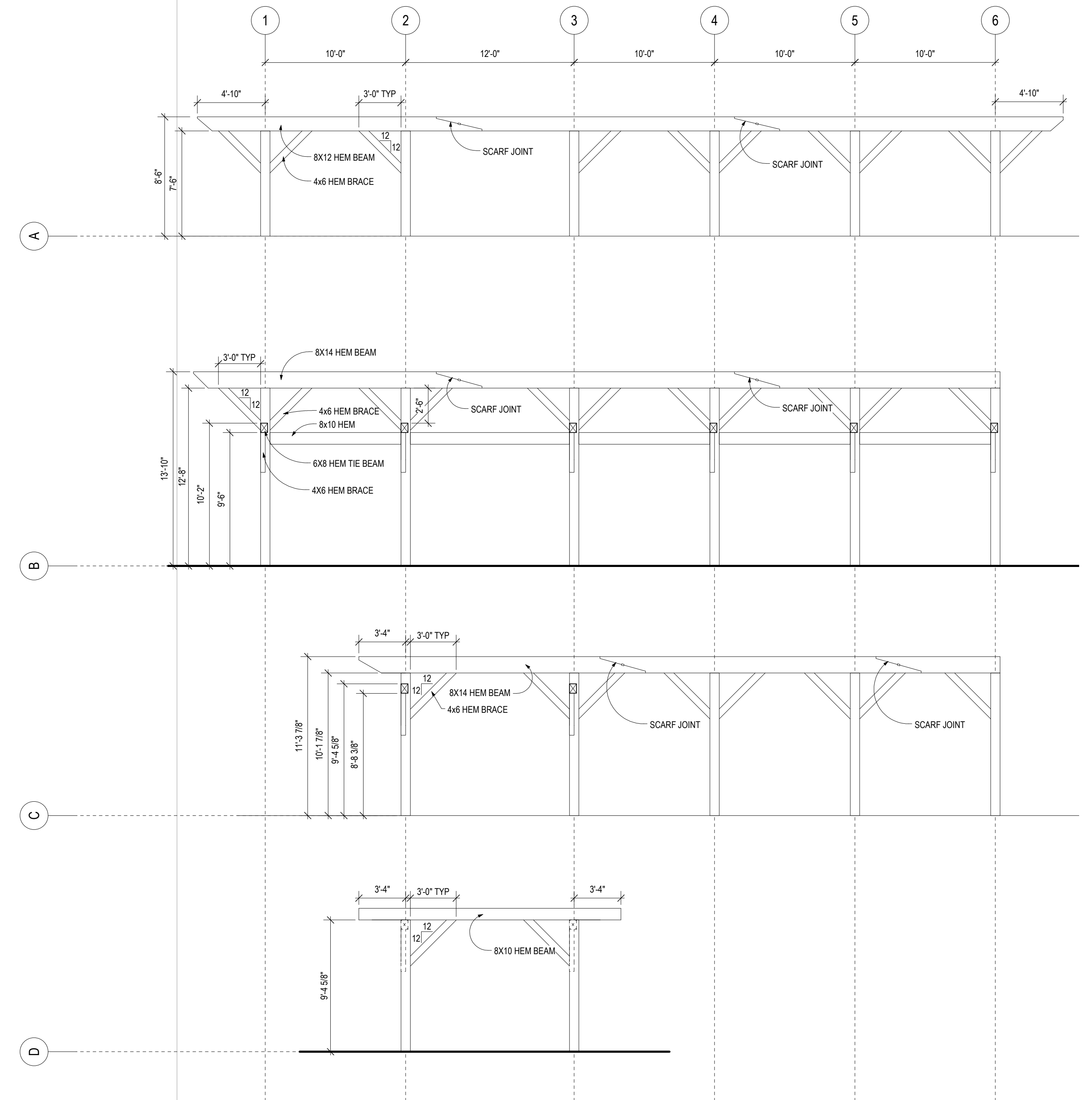
1. MINIMUM DESIGN LIVE ROOF LOAD: 50 PSI
2. ALL TIMBERS ROUGH SAWN HEMLOCK OR EQUIV
3. ALL COLUMNS 8" X 8" OR EQUIV ROUND



C COLUMN BASE DETAIL
Scale: 1" = 1'-0"



D TIMBER FRAME AXONOMETRIC SECTION



B TIMBER FRAME SECTIONS
Scale: 3/16" = 1'-0"

